

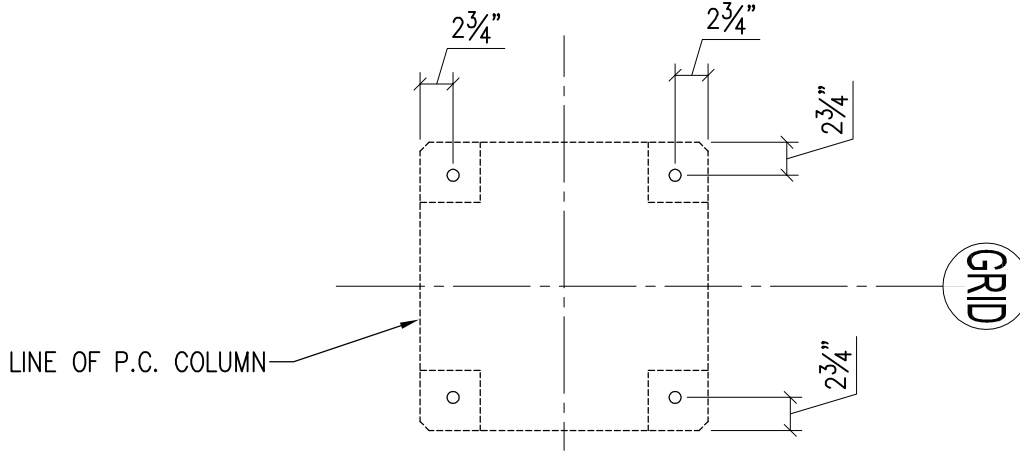


# CLARK PACIFIC

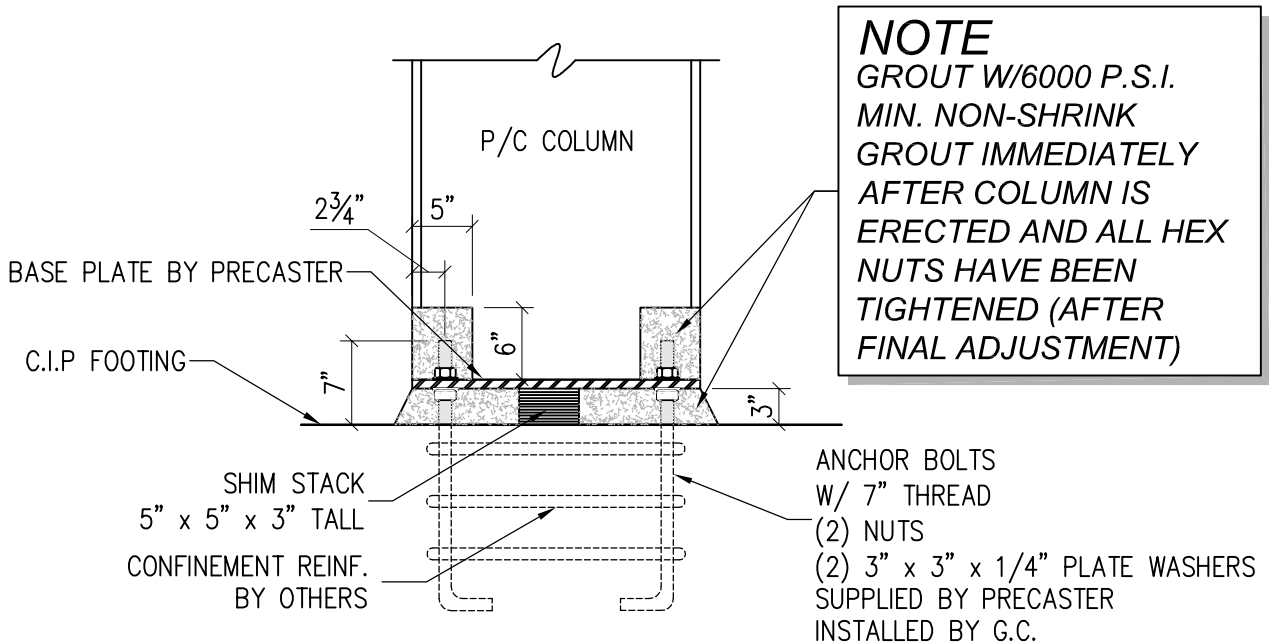
1980 SOUTH RIVER ROAD W SACRAMENTO, CA 95691  
 13592 SLOVER AVENUE FONTANA, CA 92337  
 TEL: (916) 371-0305 FAX: (916) 372-0323  
 TEL: (909) 823-1433 FAX: (909) 823-1361

PROJECT	
CONTRACTOR	
<b>COLUMN TO FOUNDATION CONNECTION</b>	

JOB	
SHEET	<b>D3</b>
DATE	1-6-04
BY	DW/BH
CHECK	



**1 PLAN VIEW - ANCHOR BOLT LAYOUT**  
 SCALE: 3/4" = 1'-0"



**NOTE**  
 GROUT W/6000 P.S.I. MIN. NON-SHRINK GROUT IMMEDIATELY AFTER COLUMN IS ERECTED AND ALL HEX NUTS HAVE BEEN TIGHTENED (AFTER FINAL ADJUSTMENT)

**2 ELEVATION**  
 SCALE: 3/4" = 1'-0"