



CLARK PACIFIC

1980 SOUTH RIVER ROAD TEL: (916) 371-0305
W SACRAMENTO, CA 95691 FAX: (916) 372-0323

13592 SLOVER AVENUE TEL: (909) 823-1433
FONTANA, CA 92337 FAX: (909) 823-1361

PROJECT

CONTRACTOR

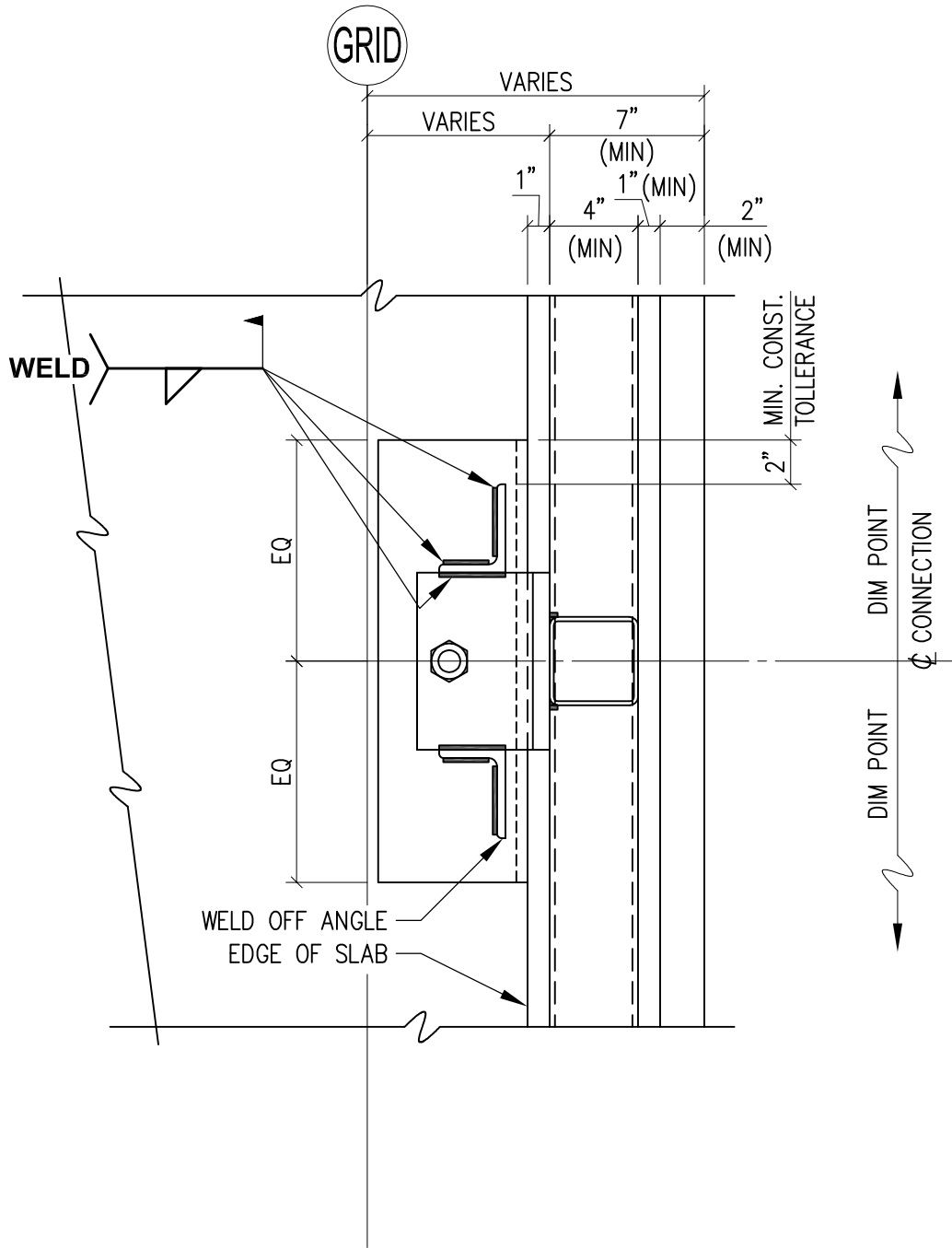
JOB

SHEET **PCCAP-SK2**

DATE **3/15/07**

BY TA CHECK DW

TYPICAL C-CAPP BEARING DETAIL



SK2

**TYPICAL BEARING CONNECTION
(C-CAPP)**

SCALE: 1 1/2" = 1'-0"

S:\By Employee\tony arroyo\WEBSITE.dwg, 3/16/2007 3:51:24 PM